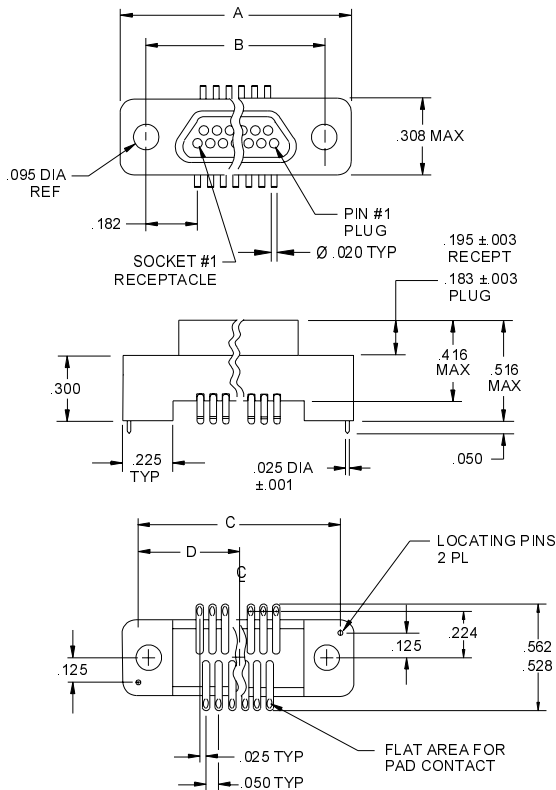


1.2 MICRO CONNECTORS / MOTS

| NO. OF CONTACTS | A MAX | B | C | D ±.010 |
|-----------------|----------|-------|------|------------|
| 9 | .785 | .565 | .65 | .325 |
| 15 | .935 | .715 | .80 | .400 |
| 21 | 1.085 | .865 | .95 | .475 |
| 25 | 1.185 | .965 | 1.05 | .525 |
| 31 | 1.335 | 1.115 | 1.20 | .600 |
| 37 | 1.485 | 1.265 | 1.35 | .675 |



BOTTOM VIEW

SMV - # ### - # # 0

SURFACE MOUNT METAL SHELL
VERTICAL MICRO-D

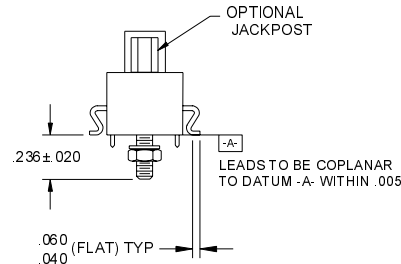
GENDER
1 = RECEPTACLE, SOCKET CONTACTS
2 = PLUG, PIN CONTACTS

NUMBER OF CONTACTS
009 025
015 031
021 037

SHELL HARDWARE
0 = NO HARDWARE
1 = JACKPOST

SHELL FINISH
A = CADMIUM
B = NICKEL

TBD



1. MATERIALS:

SHELL - ALUMINUM PER QQ-A-200/8 OR QQ-A-591
INSULATOR - POLYPHENYLENE SULFIDE PER MIL-M-24519
TYPE GST-40F
PIN CONTACT - BERYLLIUM COPPER
SOCKET CONTACT - COPPER ALLOY
INTERFACIAL SEAL - FLUOROSILICONE BLEND
LOCATING PIN - STAINLESS STEEL

2. FINISH:

SHELL - CADMIUM PER QQ-P-416, TYPE II, CLASS 3 OVER
ELECTROLESS NICKEL PER AMS 2404 OR
ELECTROLESS NICKEL PER AMS 2404
CONTACT - GOLD PER MIL-C-45204, TYPE II, GRADE C,
CLASS I OVER NICKEL PER QQ-N-290.
(LEADS ARE TYPICALLY HOT TIN DIPPED)
LOCATING PIN - PASSIVATE PER QQ-P-35

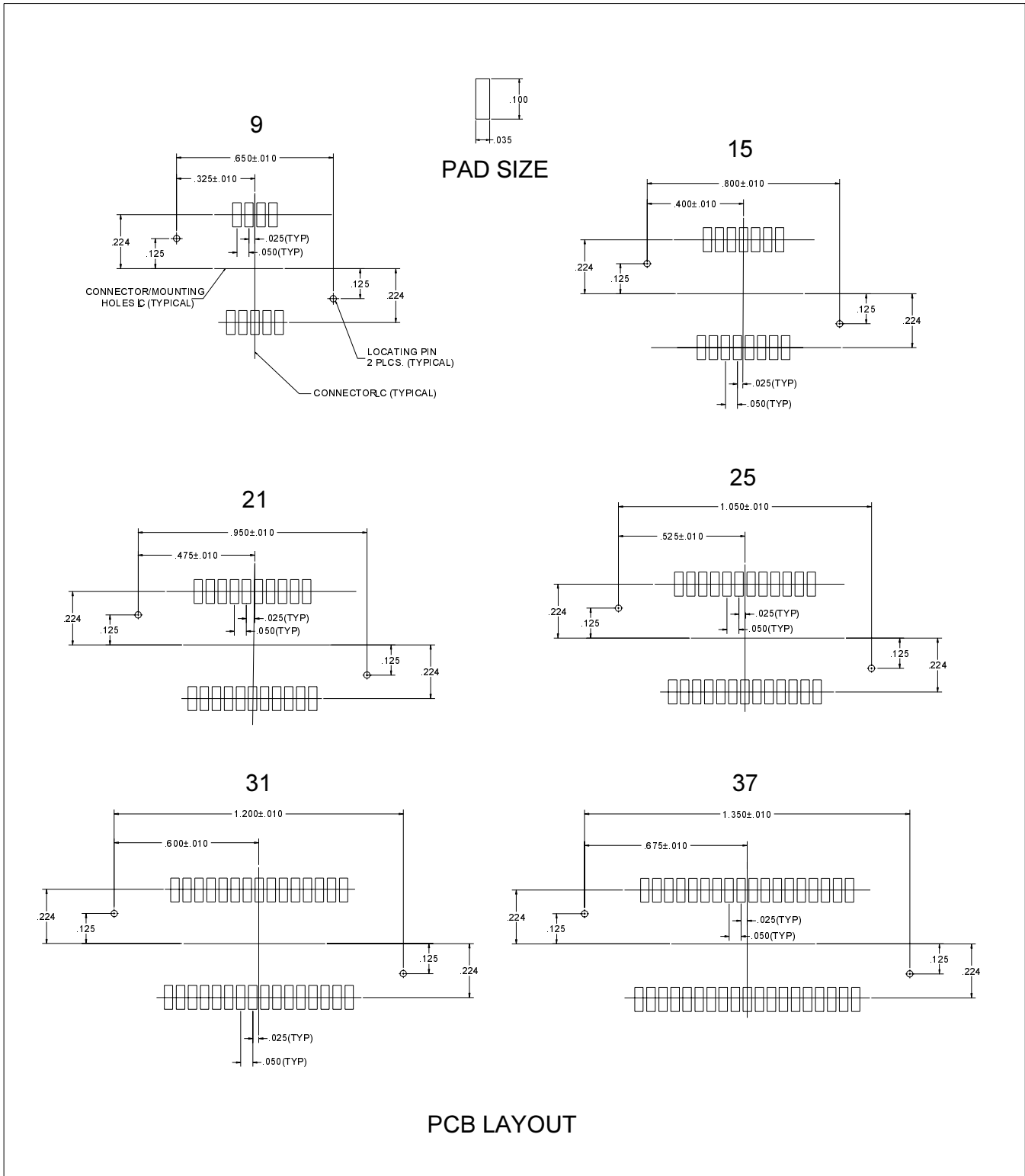
3. SPECIFICATIONS:

CURRENT RATING ----- 3 AMPS MAX
TEMPERATURE RATING ----- -55° C TO +125° C
INSULATION RESISTANCE ----- 5000 MEGOHMS MIN
DWV AT SEA LEVEL ----- 600 VAC
DWV AT 70,000 FT ALTITUDE --- 150 VAC
CONTACT RESISTANCE ----- 8 MILLIOHMS MAX AT 2.5 AMPS
LOW LEVEL CONTACT ----- 10 MILLIOHMS MAX
RESISTANCE
CONTACT RETENTION ----- 5 LB MINIMUM AXIAL LOAD
ENGAGEMENT FORCE ----- 6 OZ MAX
SEPARATION FORCE ----- 0.5 OZ MIN

4. ADDITIONAL INFORMATION:

DESIGN AND PERFORMANCE IN GENERAL
ACCORDANCE WITH M83513 WHERE APPLICABLE.
CONTACT CRISTEK FOR AVAILABILITY, LATEST
CONFIGURATIONS, HARDWARE OPTIONS,
AND TOOLING UPGRADES IN PROGRESS.

| | | | | |
|--|---|---|--|----------------------------|
| <p>CRISTEK INTERCONNECTS, INC. www.cristek.com 1301 S. Lewis St. Anaheim, CA 92805 Phone: (714) 618-2000 FAX: (714) 535-4897</p> | <p>TITLE</p> <p>MICRO-D METAL SHELL SURFACE MOUNT VERTICAL</p> | <p>DWG. NO.</p> <p>SMV</p> | | |
| | <p>FILENAME</p> <p>ADS-SMV-1</p> | <p>CODE IDENT NO.</p> <p>67720</p> | <p>SHT</p> <p>1 OF 2</p> | <p>REV</p> <p>F</p> |
| <p>TOLERANCE: .XXX ±.005 .XX ±.01 ANGLE ±1°</p> | | | | |



| | | | | | | |
|--|----------|---|-----|----------------|-------|----------|
| CRISTEK INTERCONNECTS, INC. www.cristek.com 1301 S. Lewis St. Anaheim, CA 92805 Phone: (714) 618-2000 FAX: (714) 535-4897 | TITLE | MICRO-D METAL SHELL SURFACE MOUNT VERTICAL | | DWG. NO. | SMV | |
| | FILENAME | ADS-SMV-2 | | CODE IDENT NO. | 67720 | REV F |
| | | | SHT | 2 | OF | 2 |